

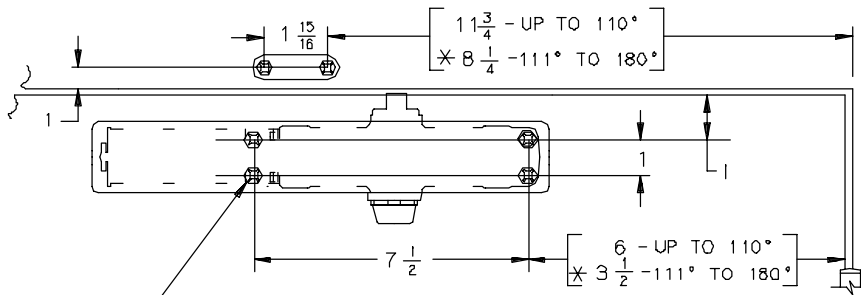
1460 (PULL SIDE MOUNTED)

1460 } HOLD OPEN (90° TO 180°)
1461 } MAXIMUM OPENING 180°

AUXILIARY STOP RECOMMENDED

LEFT HAND DOOR SHOWN,
RIGHT HAND OPPOSITE

12/96



- (6) 1/4 - 14 X 1 3/8 SRT OR
- (6) 1/4 - 20 X 5/8 PHMS OR
- (6) No. 14 X 1 1/2 PHWS

NOTES-

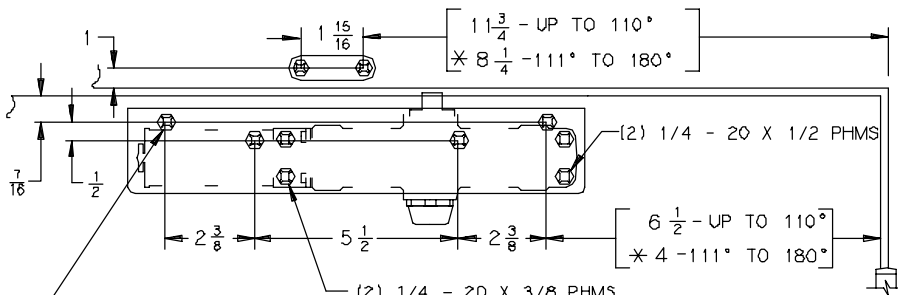
1. IF TOP RAIL IS LESS THAN 2 1/2". A 1461-18 DROP PLATE MUST BE USED. (SEE BELOW)
- * 2. TRIM, FRAME, AND HINGE PERMITTING

1460 (PULL SIDE MOUNTED) ON 1461-18 DROP PLATE

1460 DP } HOLD OPEN (90° TO 180°)
MAXIMUM OPENING 180°

AUXILIARY STOP RECOMMENDED

LEFT HAND DOOR SHOWN,
RIGHT HAND OPPOSITE



- (6) 1/4 - 14 X 1 3/8 SRT OR
- (6) 1/4 - 20 X 5/8 PHMS OR
- (6) No. 14 X 1 1/2 PHWS

NOTES-

1. MINIMUM TOP RAIL WIDTH IS 1 1/2".
- * 2. TRIM, FRAME, AND HINGE PERMITTING

GENERAL NOTES-

1. ON PULL SIDE MOUNT, LOCATE CLOSER & SHOE FROM \bar{C} OF PIVOT OR SWING CLEAR HINGE PIN WHEN USED.
2. FOR 180° OPENING ON PULL SIDE MOUNT, THE MAX. BUTT SIZE IS 5" X 5".
3. REINFORCING PER ANSI/SDI-100 RECOMMENDED FOR HOLLOW METAL DOORS AND FRAMES.
4. CLOSER SIZE IS 12 3/4 X 2 3/4 X 2 3/8

| | | | | | | | | | | |
|------|-------|-----|-------|-----|-------|-------|---------|-------|--------|--------|
| INCH | 1/4 | 3/8 | 1/2 | 5/8 | 1 | 1 1/2 | 1 15/16 | 2 | 2 3/8 | 2 1/2 |
| M.M. | 6 | 10 | 13 | 16 | 25 | 38 | 49 | 51 | 60 | 64 |
| INCH | 2 3/4 | 3 | 3 1/2 | 5 | 5 1/2 | 6 | 6 1/2 | 8 1/2 | 11 3/4 | 12 3/4 |
| M.M. | 70 | 76 | 89 | 127 | 140 | 152 | 165 | 216 | 298 | 324 |

| No. | REVISION | BY | DATE |
|-----|-----------------|-----|------|
| 2 | TEMPLATE UPDATE | JEJ | 6/96 |
| 3 | NEW DIMENSIONS | AMM | 4/00 |

LCN®

APP BY JEJ 6/96
DO NOT SCALE

NON-HANDED (PULL SIDE MOUNTED)
CLOSER, REG. AND ON DROP PLATE

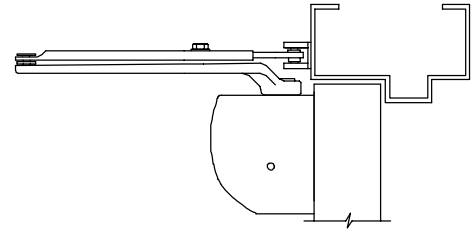
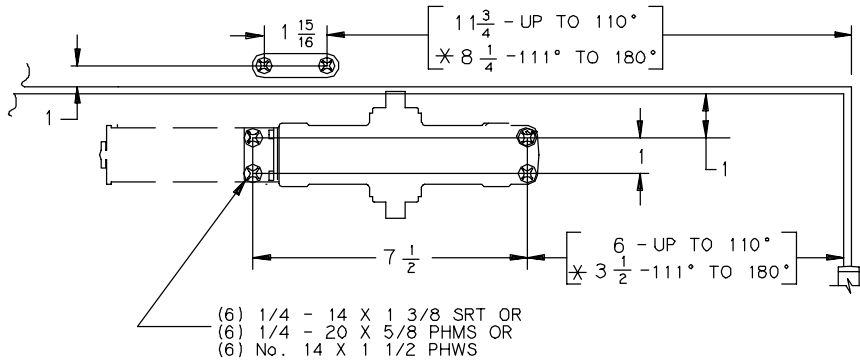
1460 / 1461 (PULL SIDE)

1460 (PULL SIDE MOUNTED)

1460 } HOLD OPEN (90° TO 180°)
1461 } MAXIMUM OPENING 180°

AUXILIARY STOP RECOMMENDED

LEFT HAND DOOR SHOWN,
RIGHT HAND OPPOSITE



NOTES-

1. IF TOP RAIL IS LESS THAN 2 1/2", A 1461-18 DROP PLATE MUST BE USED. (SEE BELOW)

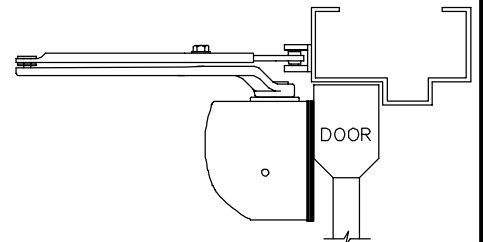
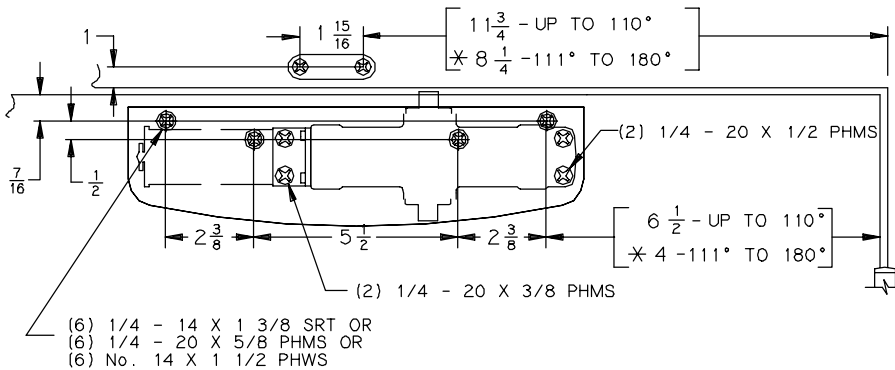
* 2. TRIM, FRAME, AND HINGE PERMITTING

1460 (PULL SIDE MOUNTED) ON 1461-18 DROP PLATE

1460 DP } HOLD OPEN (90° TO 180°)
MAXIMUM OPENING 180°

AUXILIARY STOP RECOMMENDED

LEFT HAND DOOR SHOWN,
RIGHT HAND OPPOSITE



NOTES-

1. MINIMUM TOP RAIL WIDTH IS 1 1/2".

* 2. TRIM, FRAME, AND HINGE PERMITTING

GENERAL NOTES-

1. ON PULL SIDE MOUNT, LOCATE CLOSER & SHOE FROM C OF PIVOT OR SWING CLEAR HINGE PIN WHEN USED.
2. FOR 180° OPENING ON PULL SIDE MOUNT, THE MAX. BUTT SIZE IS 5" x 5".
3. REINFORCING PER ANSI/SDI-100 RECOMMENDED FOR HOLLOW METAL DOORS AND FRAMES.
4. CLOSER SIZE IS 12 3/4 x 2 3/4 x 2 3/8.

| | | | | | | | | | | |
|------|-------|-----|-------|-----|-------|-------|---------|-------|--------|--------|
| INCH | 1/4 | 3/8 | 1/2 | 5/8 | 1 | 1 1/2 | 1 15/16 | 2 | 2 3/8 | 2 1/2 |
| M.M. | 6 | 10 | 13 | 16 | 25 | 38 | 49 | 51 | 60 | 64 |
| INCH | 2 3/4 | 3 | 3 1/2 | 5 | 5 1/2 | 6 | 6 1/2 | 8 1/2 | 11 3/4 | 12 3/4 |
| M.M. | 70 | 76 | 89 | 127 | 140 | 152 | 165 | 216 | 298 | 324 |

| No. | REVISION | BY | DATE |
|-----|----------|----|------|
| | | | |
| | | | |

LCN®

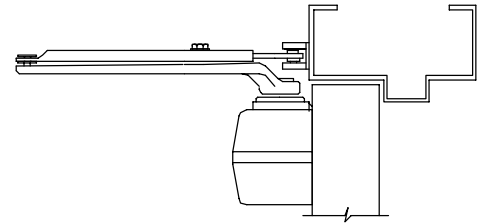
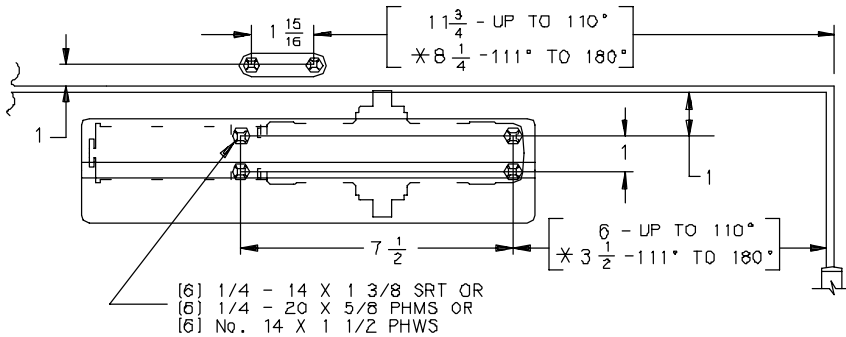
APP BY NJM 6/00
DO NOT SCALE

NON-HANDED (PULL SIDE MOUNTED)
CLOSER, REG. AND ON DROP PLATE

1460/1461 DS (PULL SIDE)

1460 FC (PULL SIDE MOUNTED)

| | |
|--|-------------------------|
| 1460 FC | HOLD OPEN (90° TO 180°) |
| 1461 FC | MAXIMUM OPENING 180° |
| AUXILIARY STOP RECOMMENDED | |
| LEFT HAND DOOR SHOWN, RIGHT HAND OPPOSITE | 12/96 |

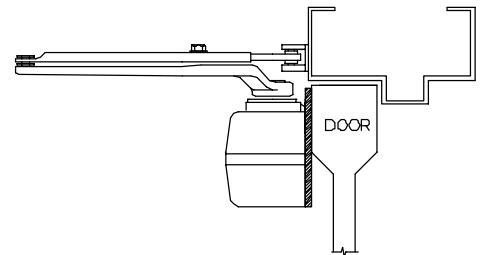
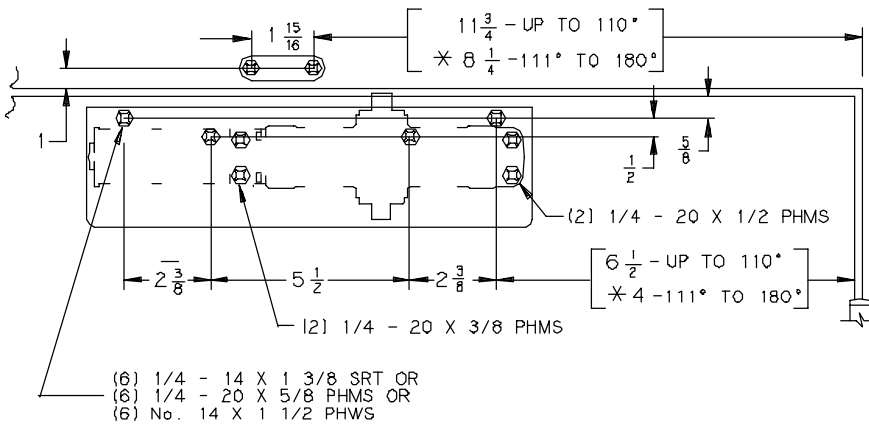


NOTES-

- 1. IF TOP RAIL IS LESS THAN 2 1/2" IN DEPTH, A 1461 FC-18 DROP PLATE MUST BE USED. (SEE BELOW)
- * 2. TRIM, FRAME, AND HINGE PERMITTING

1460 FC (PULL SIDE MOUNTED) ON 1461FC-18 DROP PLATE

| | |
|--|-------------------------|
| 1460 FC DP | HOLD OPEN (90° TO 180°) |
| 1461 FC DP | MAXIMUM OPENING 180° |
| AUXILIARY STOP RECOMMENDED | |
| LEFT HAND DOOR SHOWN, RIGHT HAND OPPOSITE | |



NOTES-

- 1. MINIMUM TOP RAIL WIDTH IS 1 3/4".
- * 2. TRIM, FRAME, AND HINGE PERMITTING

GENERAL NOTES-

- 1. ON PULL SIDE MOUNT, LOCATE CLOSER & SHOE FROM C OF PIVOT OR SWING CLEAR HINGE PIN WHEN USED.
- 2. FOR 180° OPENING ON PULL SIDE MOUNT, THE MAX. BUTT SIZE IS 5" x 5".
- 3. REINFORCING PER ANSI/SDI-100 RECOMMENDED FOR HOLLOW METAL DOORS AND FRAMES.
- 4. CLOSER SIZE IS 12 3/4 x 2 3/4 x 3.

| | | | | | | | | | | |
|------|-----|-----|-----|-----|----|-------|-------|---------|----|-------|
| INCH | 1/4 | 3/8 | 1/2 | 5/8 | 1 | 1 1/2 | 1 3/4 | 1 15/16 | 2 | 2 3/8 |
| M.M. | 6 | 10 | 13 | 16 | 25 | 38 | 44 | 49 | 51 | 60 |

| | | | | | | | | | | |
|------|-------|-------|----|-------|-----|-------|-----|-------|-------|-------|
| INCH | 2 1/2 | 2 3/4 | 3 | 3 1/2 | 5 | 5 1/2 | 6 | 6 1/2 | 7 1/2 | 8 1/2 |
| M.M. | 64 | 70 | 76 | 89 | 127 | 140 | 152 | 165 | 191 | 216 |

| | | |
|------|--------|--------|
| INCH | 11 3/4 | 12 3/4 |
| M.M. | 298 | 324 |

| No. | REVISION | BY | DATE |
|-----|-----------------|-----|------|
| 2 | TEMPLATE UPDATE | JEJ | 6/96 |
| 3 | NEW DIMENSIONS | AMM | 4/00 |

LCN[®]

APP BY JEJ 6/96
DO NOT SCALE

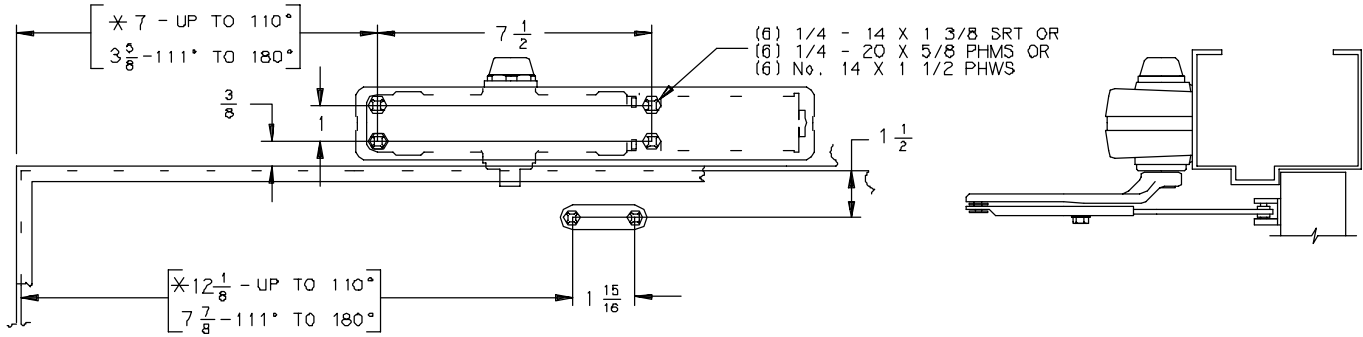
NON-HANDED (PULL SIDE MOUNTED)
CLOSER WITH FULL COVER & DROP PLATE
1460/1461 FC (PULL SIDE)

1460 TOP JAMB MOUNT (PUSH SIDE)

1460 } HOLD OPEN (90° TO 180°)
1461 } MAXIMUM OPENING 180°

AUXILIARY STOP RECOMMENDED

LEFT HAND DOOR SHOWN, RIGHT HAND OPPOSITE 12/96



NOTES-

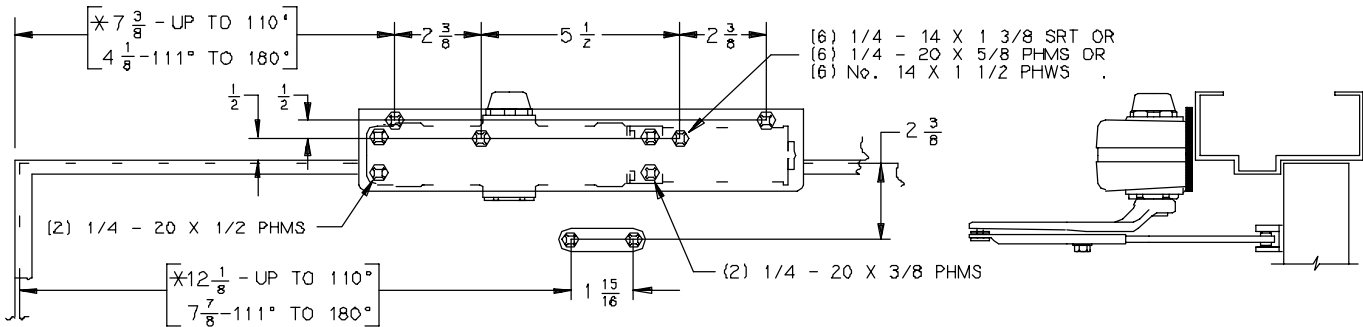
- 1 IF FRAME FACE IS LESS THAN $1 \frac{3}{4}$ " OR A FLUSH CEILING CONDITION EXISTS USE 1461-18 DROP PLATE (SEE BELOW)
- * 2. INCREASE THIS DIMENSION $1 \frac{1}{2}$ " FOR DELAYED ACTION WHEN DOOR CAN ONLY OPEN 90°

1460 TOP JAMB MOUNT (PUSH SIDE) ON 1461-18 DROP PLATE

1460 DP } HOLD OPEN (90° TO 180°)
1461 DP } MAXIMUM OPENING 180°

AUXILIARY STOP RECOMMENDED

LEFT HAND DOOR SHOWN, RIGHT HAND OPPOSITE



NOTES-

- 1. MINIMUM FRAME FACE OF $1 \frac{1}{4}$ " REQUIRED.
- * 2. INCREASE THIS DIMENSION $1 \frac{1}{2}$ " FOR DELAYED ACTION WHEN DOOR CAN ONLY OPEN 90°.

GENERAL NOTES-

- 1. ON TOP JAMB MOUNT, LOCATE CLOSER & SHOE FROM \hat{C} OF PIVOT OR SWING CLEAR HINGE PIN WHEN USED.
- 2. ON TOP JAMB MOUNTINGS WHEN OVERHEAD HOLDER/STOP IS USED, SHOE MUST BE LOWERED TO CLEAR HOLDER/STOP.
- 3. REINFORCING PER ANSI/SDI-100 RECOMMENDED FOR HOLLOW METAL DOORS AND FRAMES.
- 4. CLOSER SIZE IS $12 \frac{3}{4} \times 2 \frac{3}{4} \times 2 \frac{3}{8}$.
- 5. MAX BUTT HINGES SIZE 5x5

| | | | | | | | | | |
|------|-----------------|------------------|---------------|---------------|-----------------|-----------------|-----------------|-------------------|-----------------|
| INCH | $\frac{1}{4}$ | $\frac{3}{8}$ | $\frac{1}{2}$ | $\frac{5}{8}$ | $1 \frac{1}{4}$ | $1 \frac{1}{2}$ | $1 \frac{3}{4}$ | $1 \frac{15}{16}$ | $2 \frac{3}{8}$ |
| M.M. | 6 | 10 | 13 | 16 | 32 | 38 | 44 | 49 | 60 |
| INCH | $2 \frac{3}{4}$ | $3 \frac{1}{2}$ | 4 | 5 | $5 \frac{1}{2}$ | $6 \frac{1}{4}$ | $6 \frac{3}{4}$ | $7 \frac{1}{2}$ | 10 |
| M.M. | 70 | 89 | 102 | 127 | 140 | 159 | 171 | 191 | 254 |
| INCH | $1 \frac{3}{4}$ | $12 \frac{3}{4}$ | | | | | | | |
| M.M. | 298 | 324 | | | | | | | |

| No. | REVISION | BY | DATE |
|-----|-----------------|-----|------|
| 2 | TEMPLATE UPDATE | JEJ | 6/96 |
| 3 | NEW DIMENSIONS | AMM | 4/00 |

LCN[®]

APP BY JEJ 6/96
DO NOT SCALE

NON-HANDED (TOP JAMB, PUSH SIDE MOUNTED)
CLOSER, REGULAR AND ON DROP PLATE

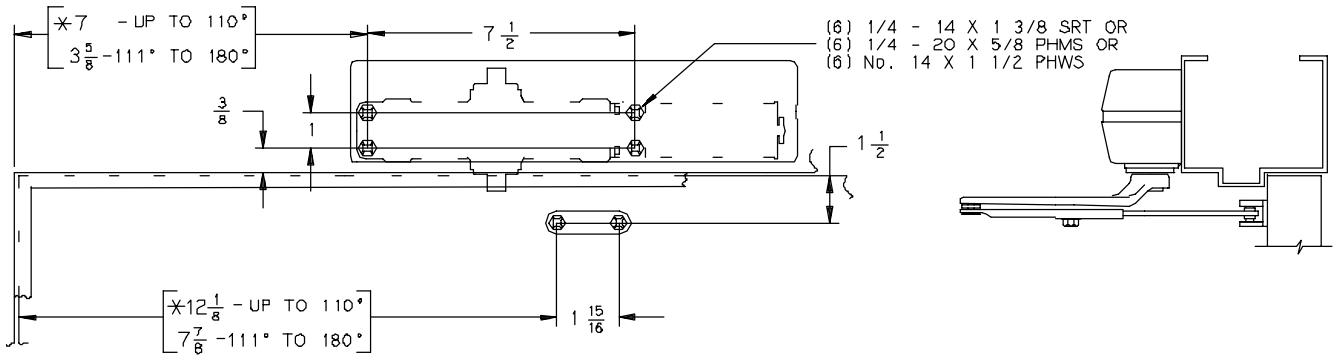
1460 / 1461 (PUSH SIDE TOP JAMB)

1460 FC TOP JAMB MOUNT (PUSH SIDE)

1460 FC } HOLD OPEN (90° TO 180°)
1461 FC } MAXIMUM OPENING 180°

AUXILIARY STOP RECOMMENDED

LEFT HAND DOOR SHOWN. RIGHT HAND OPPOSITE 12/96



NOTES-

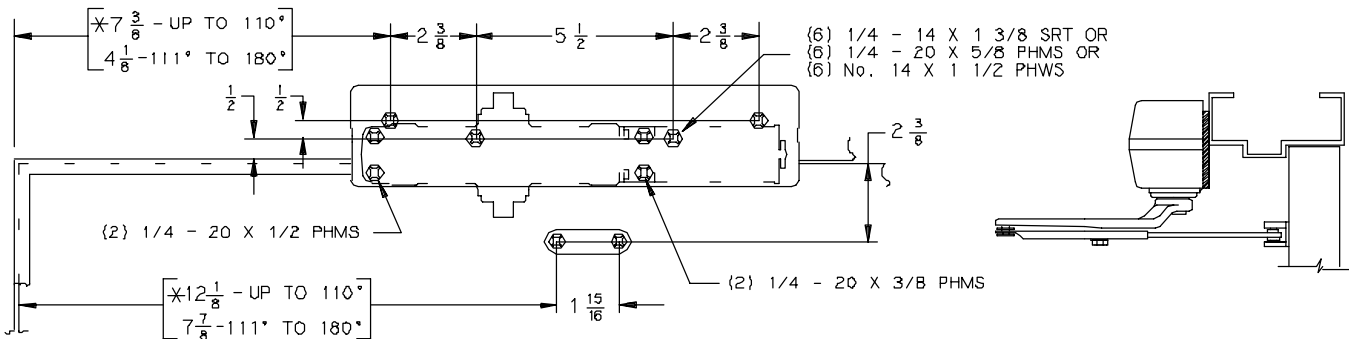
- 1. IF FRAME FACE IS LESS THAN 1 3/4" OR FLUSH CEILING CONDITION EXIST, USE 1461-18 DROP PLATE.
- *2. INCREASE THIS DIMENSION 1 1/2" FOR DELAYED ACTION WHEN DOOR CAN ONLY OPEN 90°.

1460 FC (PUSH SIDE MOUNTED) ON 1461-18 DROP PLATE

1460 FC DP } HOLD OPEN (90° TO 180°)
} MAXIMUM OPENING 180°

AUXILIARY STOP RECOMMENDED

LEFT HAND DOOR SHOWN. RIGHT HAND OPPOSITE



NOTES-

- 1. MINIMUM TOP RAIL WIDTH IS 1 1/2".
- *2. INCREASE THIS DIMENSION 1 1/2" FOR DELAYED ACTION WHEN DOOR CAN ONLY OPEN 90°.

GENERAL NOTES-

- 1. ON TOP JAMB MOUNT. LOCATE CLOSER & SHOE FROM C OF PIVOT OR SWING CLEAR HINGE PIN WHEN USED.
- 2. ON TOP JAMB MOUNTINGS WHEN OVERHEAD STOP IS USED. SHOE MUST BE LOWERED TO CLEAR HOLDER.
- 3. REINFORCING PER ANSI/SDI-100 RECOMMENDED FOR HOLLOW METAL DOORS AND FRAMES.
- 4. CLOSER SIZE IS 12 3/4 x 2 3/4 x 3.
- 5. MAX BUTT HINGE SIZE 5x5.

| | | | | | | | | | | |
|------|--------|-------|-----|-----|-------|-------|-------|---------|-------|--------|
| INCH | 1/4 | 3/8 | 1/2 | 5/8 | 1 | 1 1/2 | 1 3/4 | 1 15/16 | 2 3/8 | 2 3/4 |
| M.M. | 6 | 10 | 13 | 16 | 25 | 38 | 44 | 49 | 60 | 70 |
| INCH | 3 | 3 1/2 | 4 | 5 | 5 1/2 | 6 1/4 | 6 3/4 | 7 1/2 | 9 | 11 3/4 |
| M.M. | 76 | 89 | 102 | 127 | 140 | 159 | 171 | 191 | 229 | 298 |
| INCH | 12 3/4 | | | | | | | | | |
| M.M. | 324 | | | | | | | | | |

| No. | REVISION | BY | DATE |
|-----|-----------------|-----|------|
| 2 | TEMPLATE UPDATE | JEJ | 6/96 |
| 3 | NEW DIMENSIONS | ANM | 4/00 |

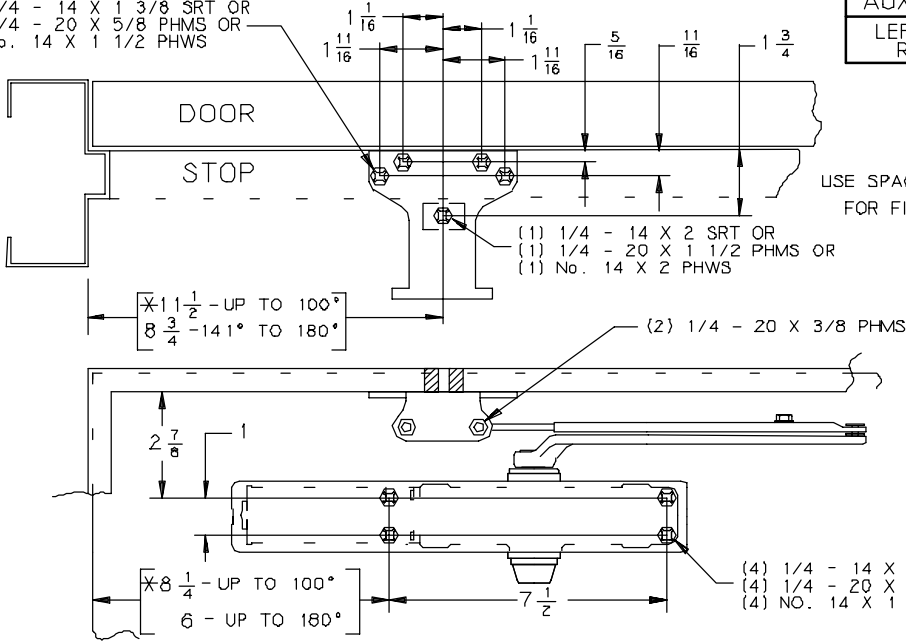
LCN[®]

APP BY JEJ 6/96
DO NOT SCALE

NON-HANDED (PULL SIDE TOP JAMB MOUNTED) WITH FULL COVER AND ON D.P.
1460/1461 FC (PUSH SIDE TOP JAMB)

P1460 (PUSH SIDE, PARALLEL ARM MOUNTED)

- (4) 1/4 - 14 X 1 3/8 SRT OR
- (4) 1/4 - 20 X 5/8 PHMS OR
- (4) No. 14 X 1 1/2 PHWS



1460 } HOLD OPEN (90° TO 180°)
1461 } MAXIMUM OPENING 180°

AUXILIARY STOP RECOMMENDED

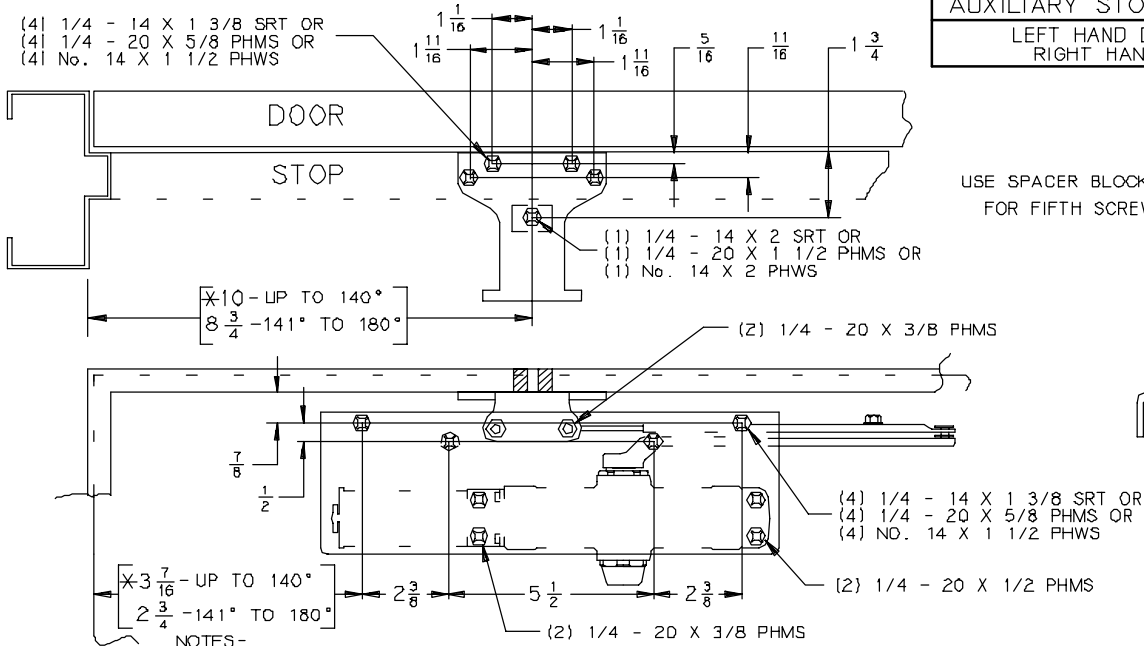
LEFT HAND DOOR SHOWN,
RIGHT HAND OPPOSITE

12/96

- NOTES-
1. IF TOP RAIL IS LESS THAN $4 \frac{3}{4}$ " IN DEPTH, A 1461-18PA DROP PLATE MUST BE USED. (SEE BELOW)
 - * 2. INCREASE THIS DIMENSION $1 \frac{1}{2}$ " FOR DELAYED ACTION WHEN DOOR IS LIMITED TO 90° OPENING.

P1460 (PUSH SIDE, PARALLEL ARM MOUNTED ON 1461-18PA PLATE)

- (4) 1/4 - 14 X 1 3/8 SRT OR
- (4) 1/4 - 20 X 5/8 PHMS OR
- (4) No. 14 X 1 1/2 PHWS



1460 DP } HOLD OPEN (90° TO 180°)
1461 DP } MAXIMUM OPENING 180°

AUXILIARY STOP RECOMMENDED

LEFT HAND DOOR SHOWN,
RIGHT HAND OPPOSITE

- NOTES-
1. MINIMUM TOP RAIL WIDTH IS $2 \frac{1}{4}$ ".
 - * 2. INCREASE THIS DIMENSION $1 \frac{1}{2}$ " FOR DELAYED ACTION WHEN DOOR CAN ONLY OPEN 90°.

GENERAL NOTES-

1. MAXIMUM 5" x 5" BUTT HINGES. LOCATE CLOSER & SHOE FROM C OF PIVOT. CONSULT FACTORY IF USING SWING-CLEAR HINGES.
2. REINFORCING PER ANSI/SDI-100 RECOMMENDED FOR HOLLOW METAL DOORS AND FRAMES.
3. CLOSER SIZE IS $12 \frac{3}{4}$ x $2 \frac{3}{4}$ x $2 \frac{3}{8}$.

| | | | | | | | | | | | |
|------|-----------------|-------------------|-----------------|-----------------|------------------|-----------------|-----------------|-----------------|------------------|-----------------|-----------------|
| INCH | $\frac{1}{4}$ | $\frac{5}{16}$ | $\frac{3}{8}$ | $\frac{1}{2}$ | $\frac{5}{8}$ | $\frac{11}{16}$ | $\frac{7}{8}$ | 1 | $1 \frac{1}{16}$ | $1 \frac{1}{8}$ | $1 \frac{1}{4}$ |
| M.M. | 6 | 8 | 10 | 13 | 16 | 17 | 22 | 25 | 27 | 38 | 43 |
| INCH | $1 \frac{3}{4}$ | $1 \frac{15}{16}$ | $2 \frac{1}{4}$ | $2 \frac{3}{8}$ | $2 \frac{3}{4}$ | $2 \frac{7}{8}$ | $3 \frac{1}{8}$ | $4 \frac{1}{4}$ | 5 | $5 \frac{1}{4}$ | $5 \frac{1}{2}$ |
| M.M. | 44 | 49 | 57 | 60 | 70 | 73 | 87 | 121 | 127 | 133 | 140 |
| INCH | $6 \frac{3}{4}$ | $7 \frac{1}{2}$ | $8 \frac{1}{2}$ | 10 | $12 \frac{3}{4}$ | | | | | | |
| M.M. | 171 | 191 | 216 | 254 | 324 | | | | | | |

| No. | REVISION | BY | DATE |
|-----|-----------------|-----|------|
| 2 | TEMPLATE UPDATE | JEJ | 6/96 |
| 3 | NEW DIMENSIONS | AMM | 4/00 |

LCN[®]

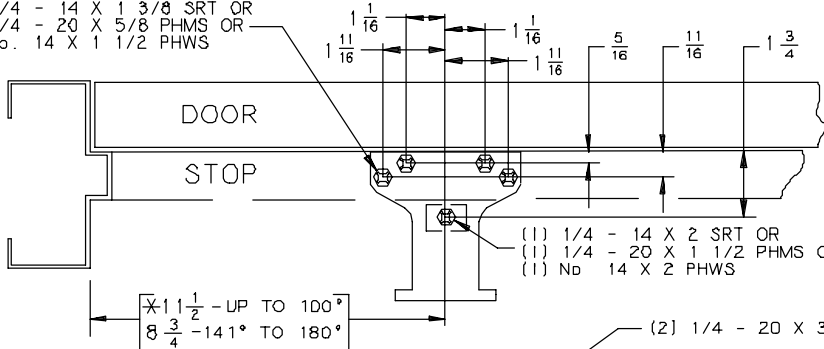
APP BY JEJ 6/96
DO NOT SCALE

NON-HANDED (PA PUSH SIDE MOUNTED)
CLOSER, REGULAR AND ON DROP PLATE

1460 / 1461 (PUSH SIDE
PARALLEL ARM)

P1460 (PUSH SIDE, PARALLEL ARM MOUNTED)

- (4) 1/4 - 14 X 1 3/8 SRT OR
- (4) 1/4 - 20 X 5/8 PHMS OR
- (4) No. 14 X 1 1/2 PHWS



1460 } HOLD OPEN (90° TO 180°)
1461 } MAXIMUM OPENING 180°

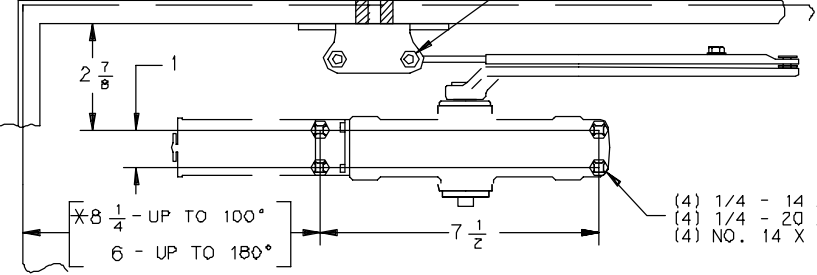
AUXILIARY STOP RECOMMENDED

LEFT HAND DOOR SHOWN,
RIGHT HAND OPPOSITE

USE SPACER BLOCK PROVIDED
FOR FIFTH SCREW 1/2 OR 5/8

- (1) 1/4 - 14 X 2 SRT OR
- (1) 1/4 - 20 X 1 1/2 PHMS OR
- (1) No. 14 X 2 PHWS

× 11 1/2 - UP TO 100°
8 3/4 - 141° TO 180°

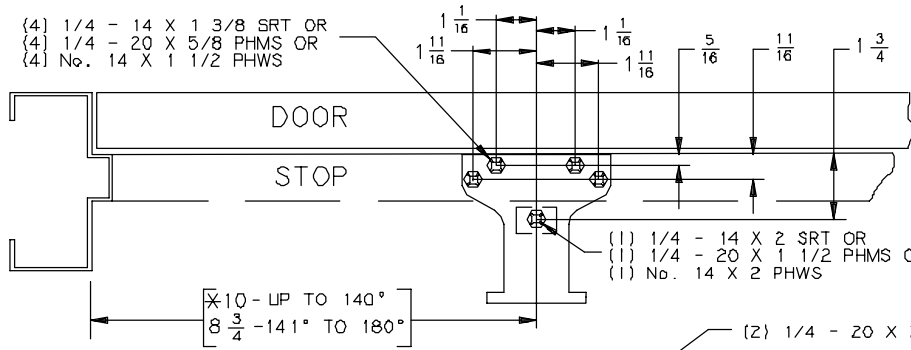


- (2) 1/4 - 20 X 3/8 PHMS
- (4) 1/4 - 14 X 1 3/8 SRT OR
- (4) 1/4 - 20 X 5/8 PHMS OR
- (4) NO. 14 X 1 1/2 PHWS

- NOTES- 1. IF TOP RAIL IS LESS THAN 4 3/4" IN DEPTH, A 1461-18PA DROP PLATE MUST BE USED. (SEE BELOW)
* 2. INCREASE THIS DIMENSION 1 1/2" FOR DELAYED ACTION WHEN DOOR IS LIMITED TO 90° OPENING.

P1460 (PUSH SIDE, PARALLEL ARM MOUNTED ON 1461-18PA PLATE)

- (4) 1/4 - 14 X 1 3/8 SRT OR
- (4) 1/4 - 20 X 5/8 PHMS OR
- (4) No. 14 X 1 1/2 PHWS



1460 DP } HOLD OPEN (90° TO 180°)
1461 DP } MAXIMUM OPENING 180°

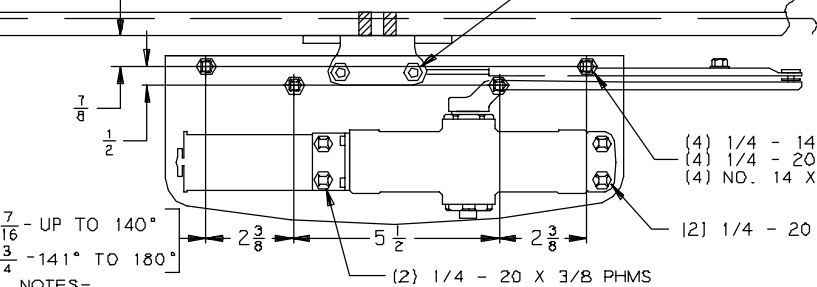
AUXILIARY STOP RECOMMENDED

LEFT HAND DOOR SHOWN,
RIGHT HAND OPPOSITE

USE SPACER BLOCK PROVIDED
FOR FIFTH SCREW 1/2 OR 5/8

- (1) 1/4 - 14 X 2 SRT OR
- (1) 1/4 - 20 X 1 1/2 PHMS OR
- (1) No. 14 X 2 PHWS

× 10 - UP TO 140°
8 3/4 - 141° TO 180°



- (4) 1/4 - 14 X 1 3/8 SRT OR
- (4) 1/4 - 20 X 5/8 PHMS OR
- (4) NO. 14 X 1 1/2 PHWS

- NOTES- 1. MINIMUM TOP RAIL WIDTH IS 2 1/4".
* 2. INCREASE THIS DIMENSION 1 1/2" FOR DELAYED ACTION WHEN DOOR CAN ONLY OPEN 90°.

GENERAL NOTES-

1. MAXIMUM 5" x 5" BUTT HINGES LOCATE CLOSER & SHQE FROM C OF PIVOT. CONSULT FACTORY IF USING SWING-CLEAR HINGES.
2. REINFORCING PER ANSI/SDI-100 RECOMMENDED FOR HOLLOW METAL DOORS AND FRAMES.
3. CLOSER SIZE IS 12 3/4 x 2 3/4 x 2 3/8.

| | | | | | | | | | | | |
|------|-------|---------|-------|-------|--------|-------|-------|-------|--------|-------|-------|
| INCH | 1/4 | 5/16 | 3/8 | 1/2 | 5/8 | 11/16 | 3/4 | 1 | 1 1/16 | 1 1/8 | 1 1/4 |
| M.M. | 6 | 8 | 10 | 13 | 16 | 17 | 22 | 25 | 27 | 38 | 49 |
| INCH | 1 3/4 | 1 15/16 | 2 1/4 | 2 3/8 | 2 3/4 | 2 7/8 | 3 1/8 | 4 3/4 | 5 | 5 1/4 | 5 1/2 |
| M.M. | 44 | 49 | 57 | 60 | 70 | 73 | 87 | 121 | 127 | 133 | 140 |
| INCH | 6 3/4 | 7 1/2 | 8 1/2 | 10 | 12 3/4 | | | | | | |
| M.M. | 171 | 191 | 216 | 254 | 324 | | | | | | |

| No. | REVISION | BY | DATE |
|-----|----------|----|------|
| | | | |

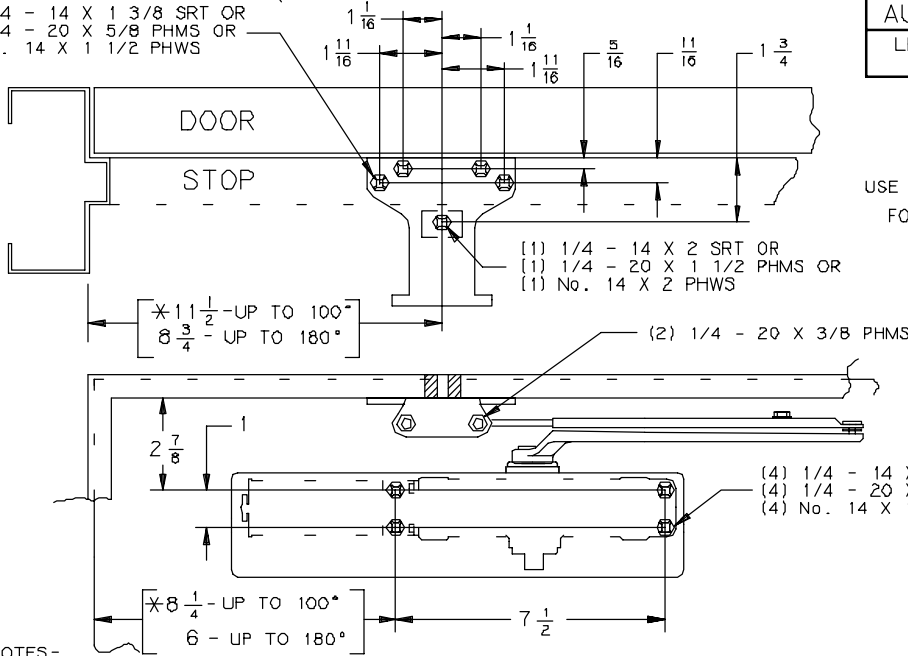
LCN®

APP BY NJM 6/00
DO NOT SCALE

NON-HANDED (PA PUSH SIDE MOUNTED)
CLOSER, REGULAR AND ON DROP PLATE
1460/1461 DS (PUSH SIDE PARALLEL ARM)

1460 FC (PUSH SIDE, PARALLEL ARM MOUNTED)

- (4) 1/4 - 14 X 1 3/8 SRT OR
- (4) 1/4 - 20 X 5/8 PHMS OR
- (4) No. 14 X 1 1/2 PHWS



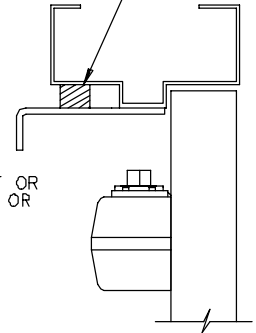
1460 FC) HOLD OPEN (90° TO 180°)
1461 FC) MAXIMUM OPENING 180°

AUXILIARY STOP RECOMMENDED

LEFT HAND DOOR SHOWN,
RIGHT HAND OPPOSITE

12/96

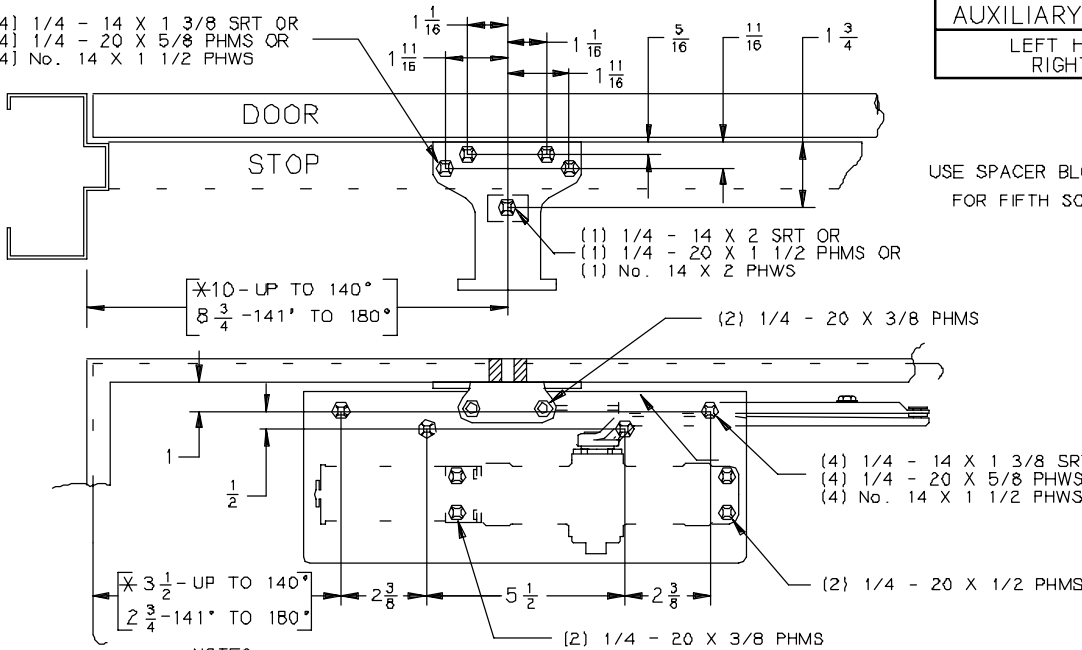
USE SPACER BLOCK PROVIDED
FOR FIFTH SCREW 1/2 OR 5/8



- NOTES-
1. IF TOP RAIL IS LESS THAN 4 3/4 IN DEPTH. A 1461FC-18PA DROP PLATE MUST BE USED. (SEE BELOW)
 - *2. INCREASE THIS DIMENSION 1 1/2" FOR DELAYED ACTION WHEN DOOR CAN ONLY OPEN 90°

1460 FC (PUSH SIDE, PARALLEL ARM MOUNTED) ON 1461FC-18PA PLATE

- (4) 1/4 - 14 X 1 3/8 SRT OR
- (4) 1/4 - 20 X 5/8 PHMS OR
- (4) No. 14 X 1 1/2 PHWS

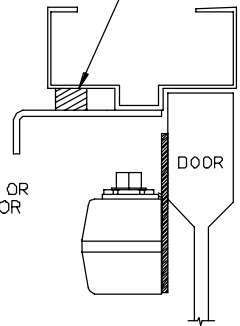


1460 FC DP) HOLD OPEN (90° TO 180°)
MAXIMUM OPENING 180°

AUXILIARY STOP RECOMMENDED

LEFT HAND DOOR SHOWN,
RIGHT HAND OPPOSITE

USE SPACER BLOCK PROVIDED
FOR FIFTH SCREW 1/2 OR 5/8



- NOTES-
1. MINIMUM TOP RAIL WIDTH IS 2 1/2".
 - *2. INCREASE THIS DIMENSION 1 1/2" FOR DELAYED ACTION WHEN DOOR CAN ONLY OPEN 90°.

GENERAL NOTES-

1. MAXIMUM 5' x 5" BUTT HINGES. LOCATE CLOSER & SHOE FROM C OF PIVOT IF USED. CONSULT FACTORY IF USING SWING-CLEAR HINGES.
2. REINFORCING PER ANSI/SDI-100 RECOMMENDED FOR HOLLOW METAL DOORS AND FRAMES.
3. CLOSER SIZE IS 12 3/4 x 2 3/4 x 3.

| | | | | | | | | |
|------|-----|------|-----|-----|-----|-------|----|--------|
| INCH | 1/4 | 5/16 | 3/8 | 1/2 | 5/8 | 11/16 | 1 | 1 1/16 |
| M.M. | 6 | 8 | 10 | 13 | 16 | 17 | 25 | 27 |

| | | | | | | | | | |
|------|-------|---------|-------|-------|-------|-------|-------|----|-------|
| INCH | 1 1/2 | 1 11/16 | 1 3/4 | 2 3/8 | 2 1/2 | 2 3/4 | 2 7/8 | 3 | 3 1/2 |
| M.M. | 38 | 43 | 44 | 60 | 64 | 70 | 73 | 76 | 89 |

| | | | | | | | | | |
|------|-------|-----|-------|-------|-------|-------|-------|-----|--------|
| INCH | 4 3/4 | 5 | 5 1/4 | 5 1/2 | 6 3/4 | 7 1/2 | 8 1/2 | 10 | 12 3/4 |
| M.M. | 121 | 127 | 133 | 140 | 171 | 191 | 216 | 254 | 324 |

| No. | REVISION | BY | DATE |
|-----|-----------------|-----|------|
| 2 | TEMPLATE UPDATE | JEJ | 6/96 |
| 3 | NEW DIMENSIONS | AMM | 4/00 |

LCN®

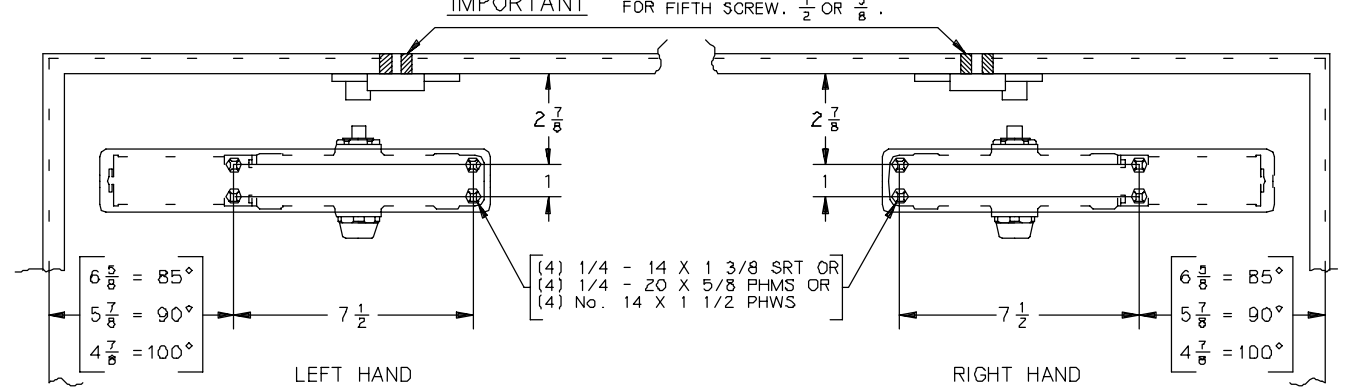
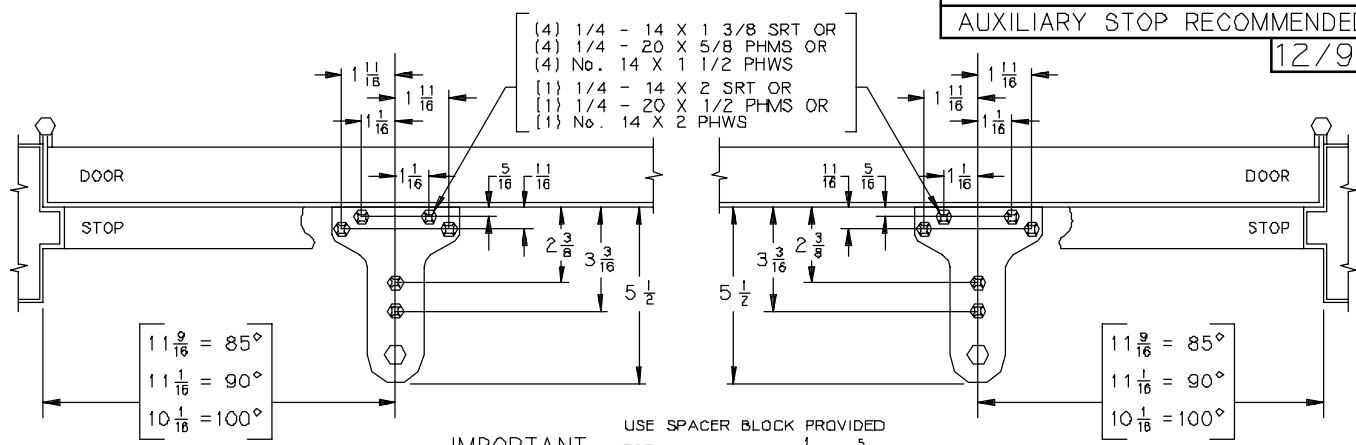
APP
BY JEJ 6/96
DO NOT SCALE

NON-HANDED (PA PUSH SIDE MOUNTED)
CLOSER WITH FULL COVER & DROP PLATE

1460/1461 FC (PUSH SIDE
PARALLEL ARM)

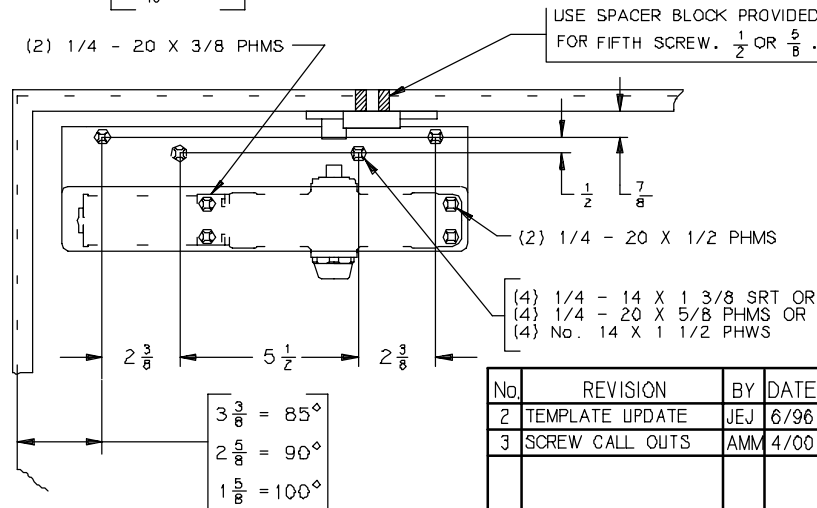
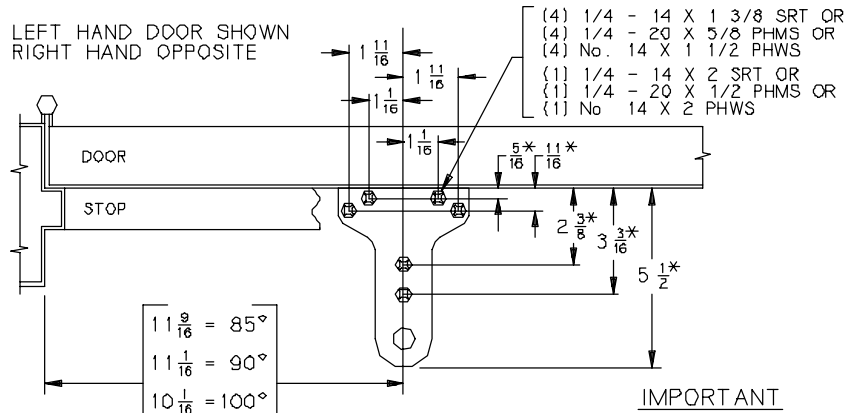
PUSH SIDE MOUNTED, PARALLEL ARM

1460 CUSH } MAXIMUM OPENING 100°
 1461 CUSH }
 AUXILIARY STOP RECOMMENDED
 12/96



STOP FACE MOUNTED ON 1461-18PA DROP PLATE

LEFT HAND DOOR SHOWN
 RIGHT HAND OPPOSITE



GENERAL NOTES

1. IF DOOR IS HUNG ON PIVOTS LOCATE CLOSER AND SHOE FROM ϕ OF PIVOTS.
2. CLOSER SIZE $12 \frac{1}{4} \times 2 \frac{3}{4} \times 2 \frac{3}{8}$.
3. TOP RAIL LESS THAN $4 \frac{3}{4}$ REQUIRES DROP PLATE.
4. ALL DIMENSIONS APPLICABLE FOR HOLD OPEN OR DEAD STOP.
5. DELAYED ACTION OPTIONAL.
6. REINFORCING PER ANSI/SDI-100 RECOMMENDED FOR HOLLOW METAL DOOR AND FRAMES.
7. $\frac{5}{8}$ MAXIMUM ALLOWABLE SIDE STOP.
8. * INCREASE THIS DIMENSION $\frac{5}{16}$ " WHEN SPRING CUSH ARM IS USED.
9. MAX BUTT HINGE SIZE 5x5

| | | | | | | | | | | |
|------|-------|-------|---------|-------|-------|-------|---------|---------|---------|--------|
| INCH | 1/4 | 5/16 | 3/8 | 1/2 | 5/8 | 11/16 | 7/8 | 1 | 1 1/16 | |
| M.M | 6 | 8 | 10 | 13 | 16 | 18 | 22 | 25 | 27 | |
| INCH | 1 1/2 | 1 5/8 | 1 11/16 | 2 3/8 | 2 5/8 | 2 3/4 | 2 7/8 | 3 3/16 | 3 3/8 | 4 3/4 |
| M.M. | 38 | 41 | 43 | 60 | 66 | 70 | 73 | 81 | 86 | 120 |
| INCH | 4 7/8 | 5 | 5 1/2 | 5 7/8 | 6 5/8 | 7 1/2 | 10 1/16 | 11 1/16 | 11 9/16 | 12 1/4 |
| M.M | 123 | 127 | 139 | 149 | 168 | 190 | 255 | 281 | 293 | 311 |

| No | REVISION | BY | DATE |
|----|-----------------|-----|------|
| 2 | TEMPLATE UPDATE | JEJ | 6/96 |
| 3 | SCREW CALL OUTS | AMM | 4/00 |

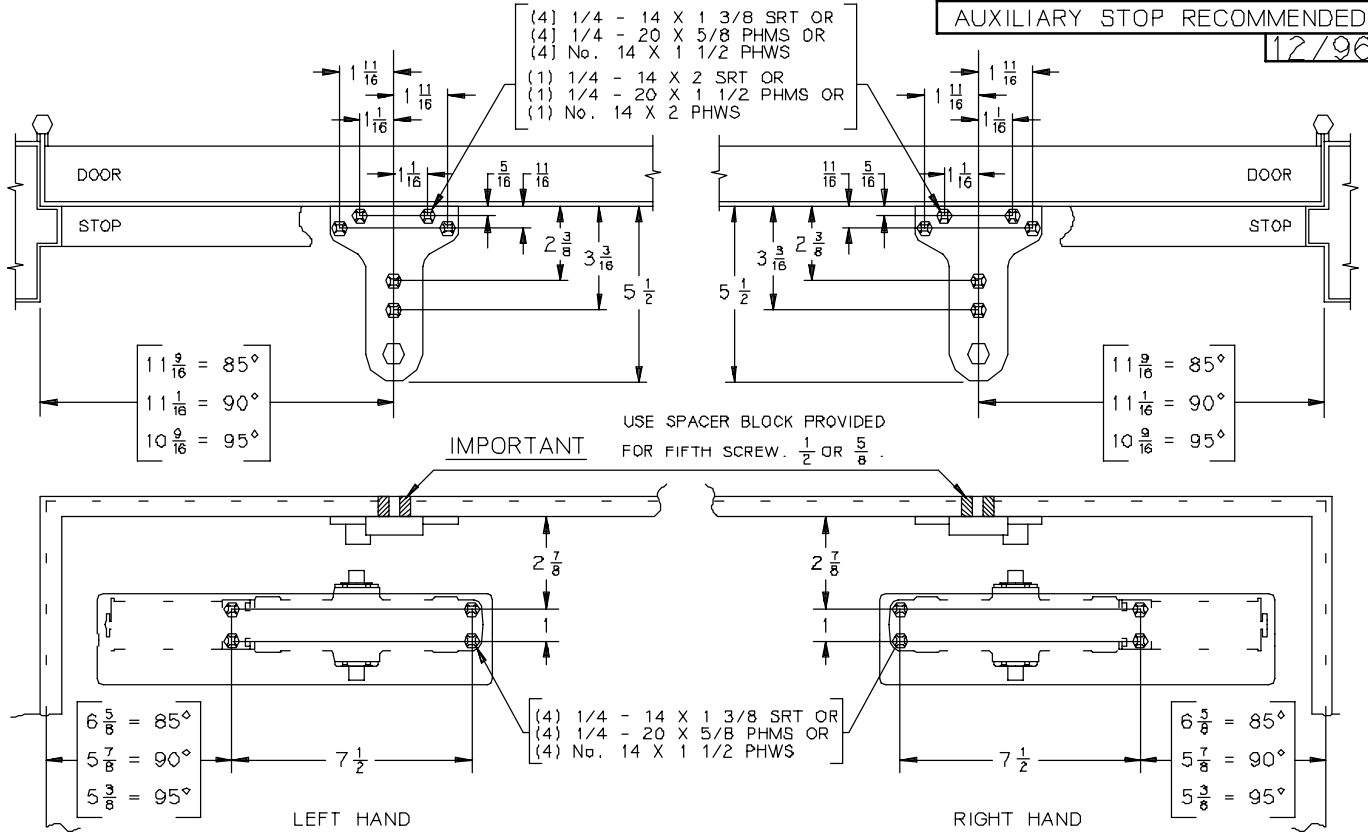
LCN[®] APP BY JEJ 6/96
 DO NOT SCALE
 PARALLEL ARM MOUNTED CLOSER WITH
 NON-HANDED CUSH-N-STOP ARM
 1460/1461 CNS

STOP FACE MOUNTED

1460 CNS FC } MAX. OPENING 95°
1461 CNS FC }

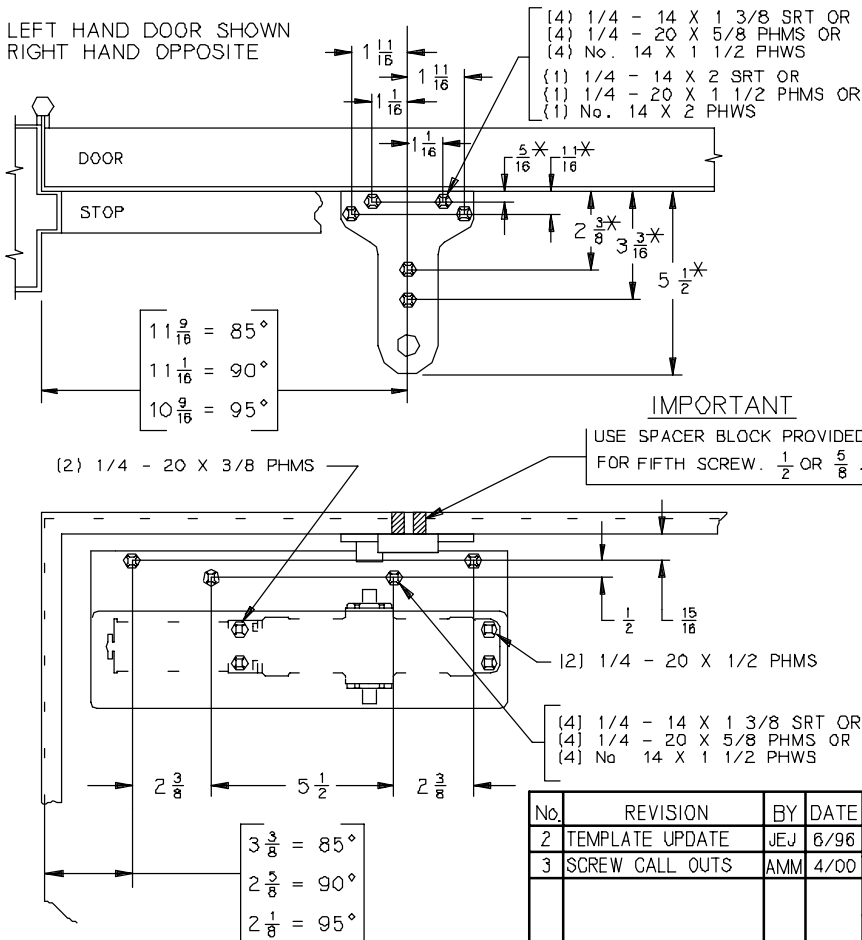
AUXILIARY STOP RECOMMENDED

12/7/96



STOP FACE MOUNTED ON 1461FC-18PA DROP PLATE

LEFT HAND DOOR SHOWN
RIGHT HAND OPPOSITE



GENERAL NOTES

- IF DOOR IS HUNG ON PIVOTS LOCATE CLOSER AND SHOE FROM C OF PIVOTS.
- CLOSER SIZE 12 1/2 X 2 3/4 X 2 3/8.
- TOP RAIL LESS THAN 4 3/4 REQUIRES DROP PLATE.
- ALL DIMENSIONS APPLICABLE FOR HOLD OPEN OR DEAD STOP.
- DELAYED ACTION OPTIONAL.
- REINFORCING PER ANSI/SDI-100 RECOMMENDED FOR HOLLOW METAL DOOR AND FRAMES.
- 5/8 MAXIMUM ALLOWABLE SIDE STOP
- MAX BUTT HINGE SIZE 5x5.
- * INCREASE THIS DIMENSION 5/16" WHEN SPRING CUSH ARM IS USED.

| | | | | | | | | | | | |
|------|-------|-------|-------|---------|---------|---------|--------|-------|--------|-------|---------|
| INCH | 1/4 | 3/8 | 5/16 | 1/2 | 5/8 | 11/16 | 15/16 | 1 | 1 1/16 | 1 1/2 | 1 11/16 |
| M.M. | 6 | 10 | 8 | 13 | 16 | 18 | 24 | 25.4 | 27 | 38 | 43 |
| INCH | 2 1/8 | 2 5/8 | 2 5/8 | 2 3/4 | 2 7/8 | 3 3/16 | 3 3/8 | 4 3/4 | 5 | 5 3/8 | 5 1/2 |
| M.M. | 54 | 60 | 66 | 70 | 73 | 81 | 86 | 121 | 127 | 137 | 140 |
| INCH | 5 7/8 | 6 5/8 | 7 1/2 | 10 9/16 | 11 1/16 | 11 9/16 | 12 1/2 | | | | |
| M.M. | 149 | 168 | 191 | 268 | 281 | 294 | 318 | | | | |

| No. | REVISION | BY | DATE |
|-----|-----------------|-----|------|
| 2 | TEMPLATE UPDATE | JEJ | 6/96 |
| 3 | SCREW CALL OUTS | AMM | 4/00 |

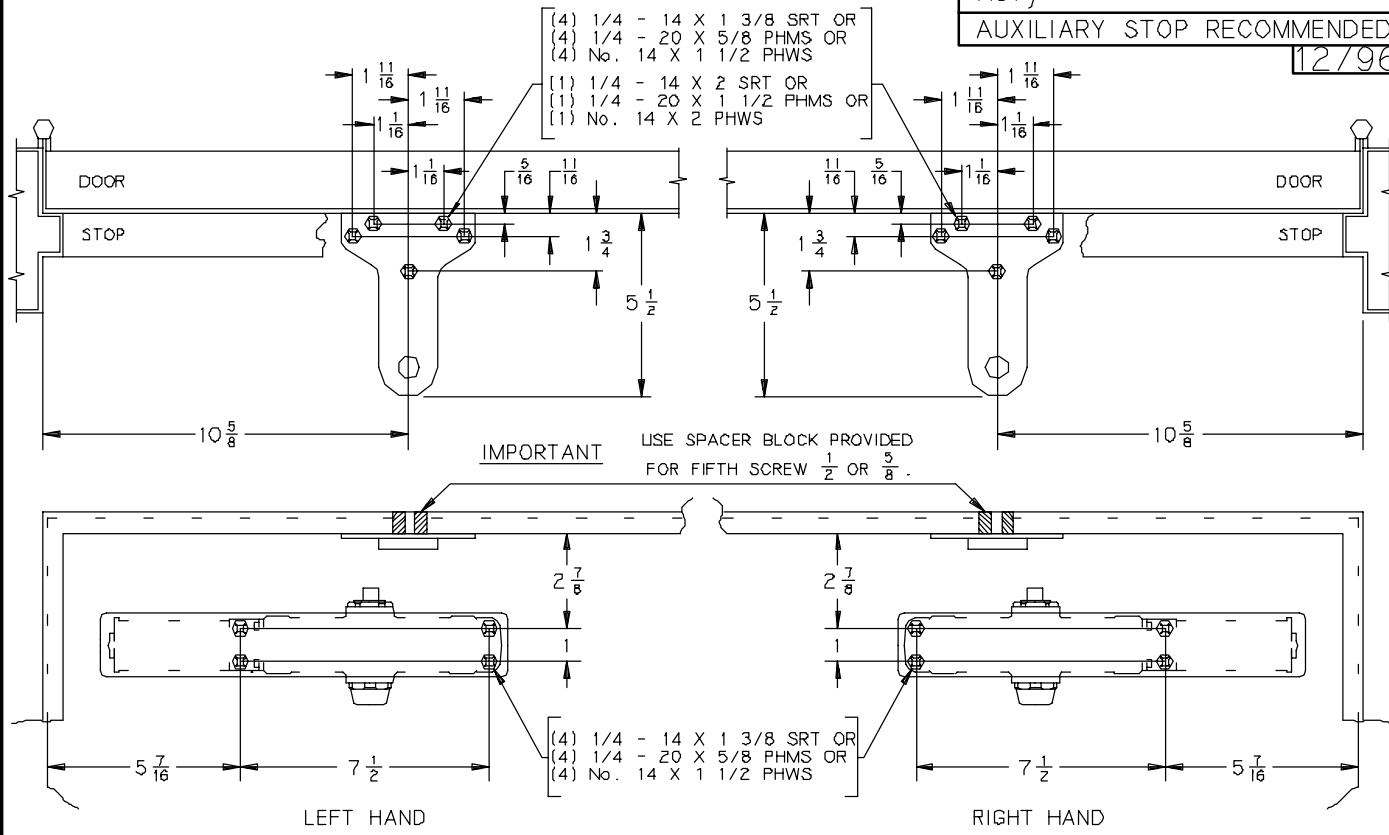
LCN® APP BY JEJ 6/96
DO NOT SCALE

STOP FACE MOUNTED CLOSER WITH FULL COVER AND NON-HANDED CUSH-N-STOP ARM

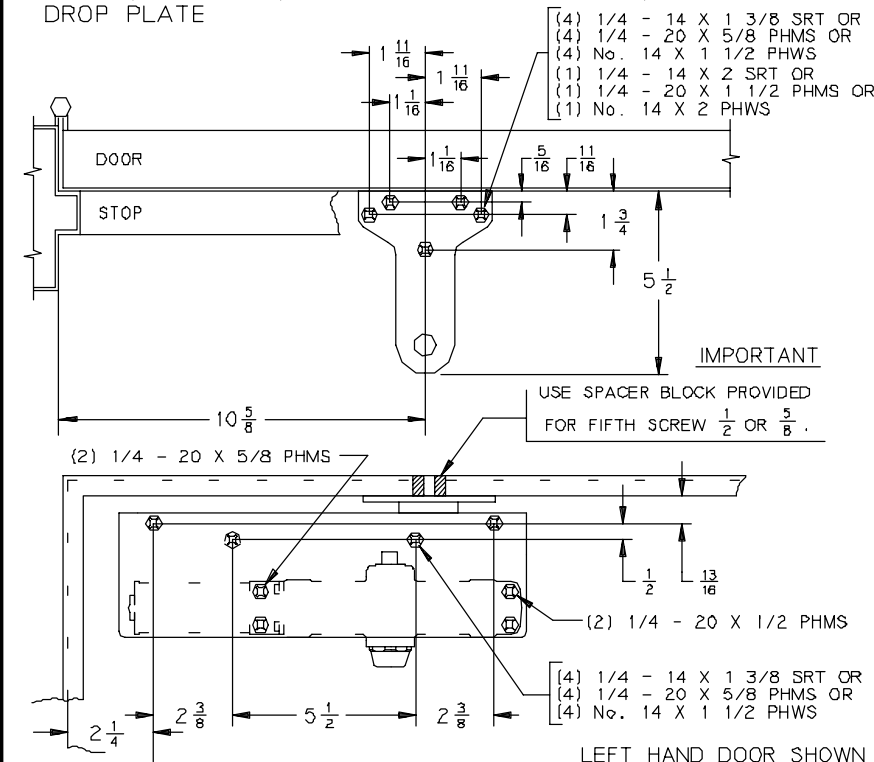
1460/1461 FC CNS

1460 (STOP FACE MOUNTED)

1460 } MAXIMUM OPENING 110°
1461 }
AUXILIARY STOP RECOMMENDED
12/96



1460 (PUSH SIDE, PARALLEL ARM MOUNTED) ON 1461-18PA DROP PLATE



GENERAL NOTES

1. IF DOOR IS HUNG ON PIVOTS, LOCATE CLOSER & SHOE FROM ϕ OF PIVOT.
2. CONSULT FACTORY IF USING SWING-CLEAR HINGES.
3. CLOSER SIZE IS $12 \frac{1}{4} \times 2 \times 2 \frac{3}{8}$.
4. TOP RAILS LESS THAN $4 \frac{3}{4}$ REQUIRE A DROP PLATE.
5. DELAYED ACTION OPTIONAL.
6. RE-INFORCING PER ANSI/SDI-100 IS RECOMMENDED FOR HOLLOW METAL DOORS & FRAMES.
7. AUXILIARY STOP RECOMMENDED.
8. $\frac{5}{8}$ MAXIMUM ALLOWABLE SIDE STOP.
9. MAX BUTT HINGE SIZE 5x5.

| | | | | | | | | | | | |
|------|---------------|---------------|----------------|---------------|---------------|-----------------|-----------------|----|------------------|-----------------|-------------------|
| INCH | $\frac{1}{4}$ | $\frac{3}{8}$ | $\frac{5}{16}$ | $\frac{1}{2}$ | $\frac{5}{8}$ | $\frac{11}{16}$ | $\frac{13}{16}$ | 1 | $1 \frac{1}{16}$ | $1 \frac{1}{2}$ | $1 \frac{11}{16}$ |
| M.M. | 6 | 10 | 8 | 13 | 16 | 18 | 21 | 25 | 27 | 38 | 43 |

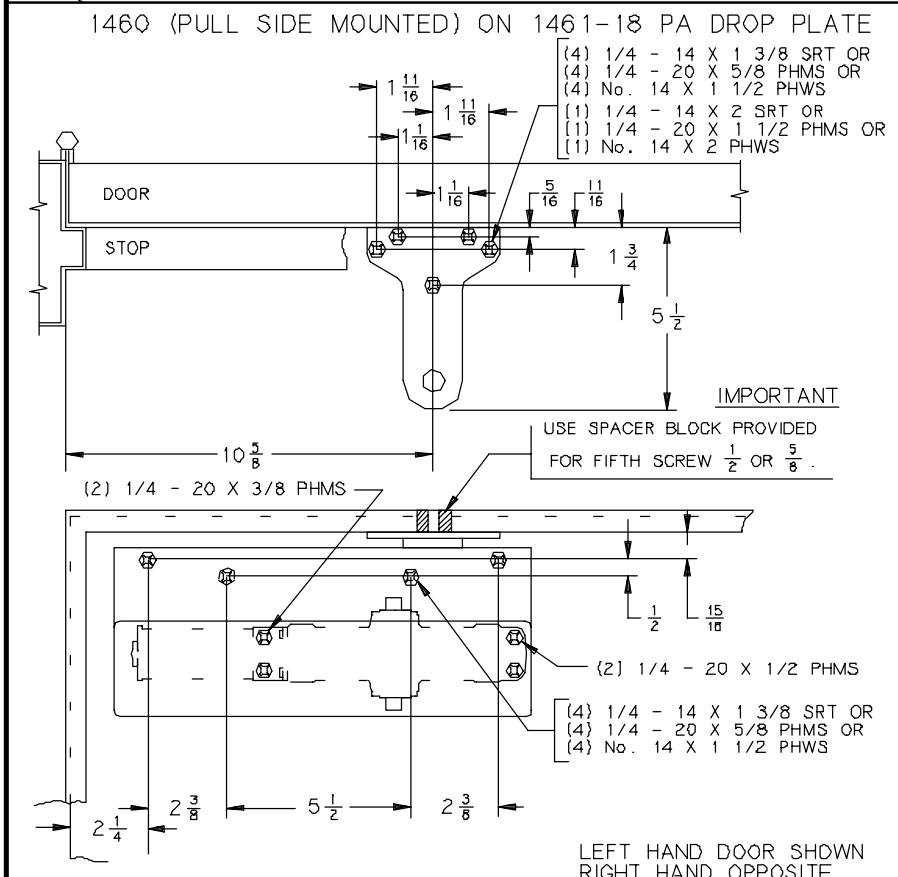
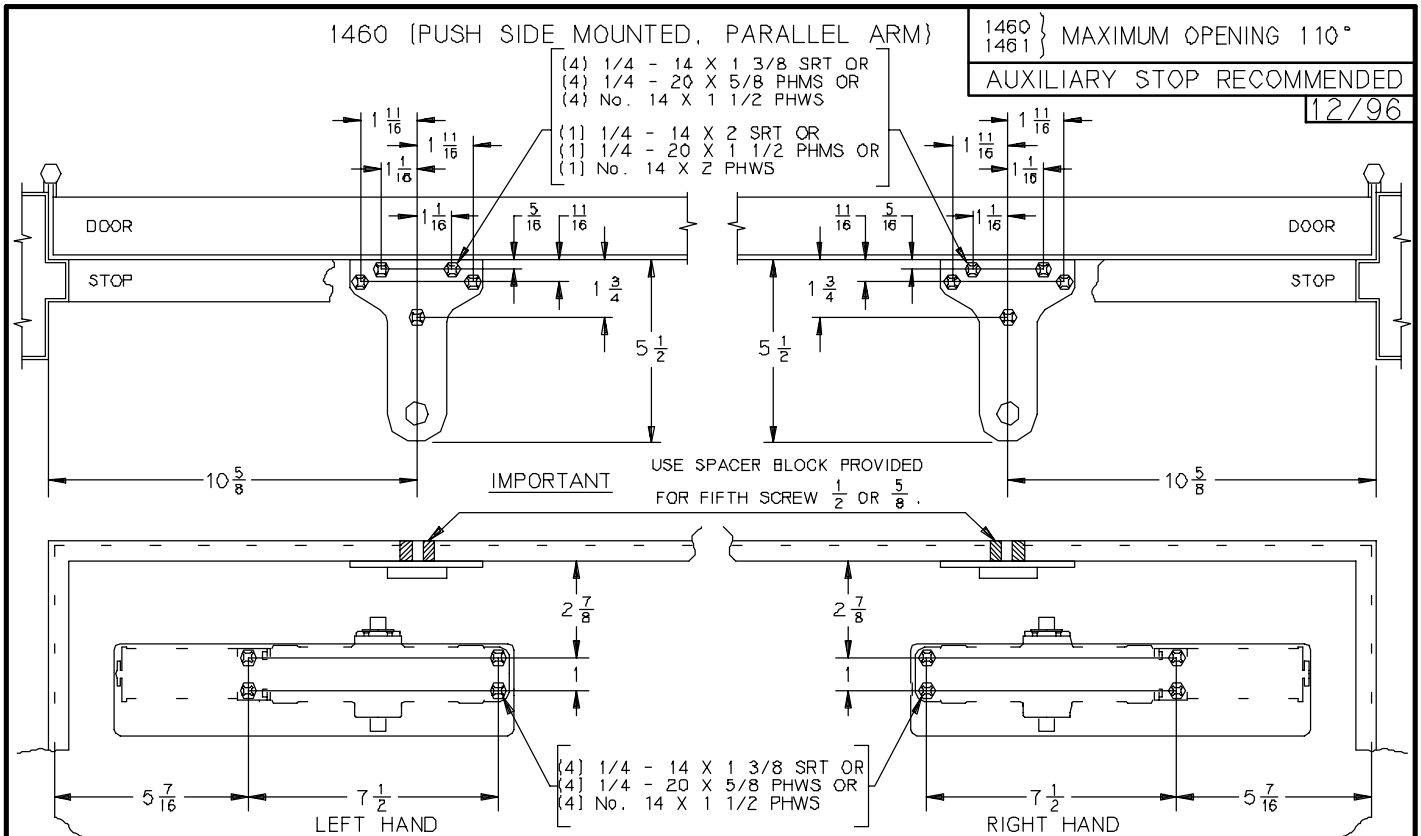
| | | | | | | | | | | | |
|------|-----------------|----|-----------------|-----------------|-----------------|-----------------|-----|------------------|-----------------|-----------------|------------------|
| INCH | $1 \frac{3}{4}$ | 2 | $2 \frac{1}{4}$ | $2 \frac{3}{8}$ | $2 \frac{7}{8}$ | $4 \frac{3}{4}$ | 5 | $5 \frac{7}{16}$ | $5 \frac{1}{2}$ | $7 \frac{1}{2}$ | $10 \frac{5}{8}$ |
| M.M. | 45 | 51 | 57 | 60 | 73 | 121 | 127 | 138 | 140 | 191 | 270 |

| | |
|------|------------------|
| INCH | $12 \frac{1}{4}$ |
| M.M. | 311 |

LEFT HAND DOOR SHOWN
RIGHT HAND OPPOSITE

| No. | REVISION | BY | DATE |
|-----|-----------------|-----|------|
| 2 | TEMPLATE UPDATE | JEJ | 6/96 |
| 3 | SCREW CALL OUTS | AMM | 4/00 |

LCN[®] APP BY JEJ 6/96
DO NOT SCALE
NON-HANDED (PA, PUSH SIDE MOUNTED)
CLOSER WITH EDA ARM, REG. AND ON DP
1460/1461 EDA



- ### GENERAL NOTES
1. IF DOOR IS HUNG ON PIVOTS, LOCATE CLOSER & SHOE FROM ϕ OF PIVOT.
 2. CONSULT FACTORY IF USING SWING-CLEAR HINGES.
 3. CLOSER SIZE IS $12 \frac{1}{2} \times 2 \times 2 \frac{3}{8}$.
 4. TOP RAILS LESS THAN $4 \frac{3}{4}$ REQUIRE A DROP PLATE
 5. DELAYED ACTION OPTIONAL.
 6. RE-INFORCING PER ANSI/SDI-100 IS RECOMMENDED FOR HOLLOW METAL DOORS & FRAMES.
 7. AUXILIARY STOP RECOMMENDED.
 8. $\frac{5}{8}$ MAXIMUM ALLOWABLE SIDE STOP.
 9. PERMITS 110° MAXIMUM OPENING.
 10. MAX BUTT HINGE SIZE 5x5.

| | | | | | | | | | | | | |
|------|------------------|---------------|-----------------|-----------------|-----------------|-----------------|-----------------|------------------|------------------|-----------------|-------------------|--|
| INCH | $\frac{1}{4}$ | $\frac{3}{8}$ | $\frac{5}{16}$ | $\frac{1}{2}$ | $\frac{5}{8}$ | $\frac{11}{16}$ | $\frac{15}{16}$ | 1 | $1 \frac{1}{16}$ | $1 \frac{1}{2}$ | $1 \frac{11}{16}$ | |
| M.M. | 6 | 10 | 8 | 13 | 16 | 18 | 24 | 25 | 27 | 38 | 43 | |
| INCH | $1 \frac{3}{4}$ | 2 | $2 \frac{1}{4}$ | $2 \frac{3}{8}$ | $2 \frac{7}{8}$ | $4 \frac{3}{4}$ | 5 | $5 \frac{7}{16}$ | $5 \frac{1}{2}$ | $7 \frac{1}{2}$ | $10 \frac{5}{8}$ | |
| M.M. | 45 | 51 | 57 | 60 | 73 | 121 | 127 | 138 | 140 | 191 | 270 | |
| INCH | $12 \frac{1}{2}$ | | | | | | | | | | | |
| M.M. | 318 | | | | | | | | | | | |

| No. | REVISION | BY | DATE |
|-----|-----------------|-----|------|
| 2 | TEMPLATE UPDATE | JEJ | 6/96 |
| 3 | SCREW CALL OUTS | AMM | 4/00 |

LCN[®]

APP BY JEJ 6/96
DO NOT SCALE

NON-HANDED (PA. PUCH SIDE MOUNT) CLOSER WITH EXTRA DUTY ARM & FULL COVER

1460/1461 EDA FC