

# Electrified Latch Pullback Mortise Lock



## LPM1 SERIES

- LATCH RETRACTION IN A MORTISE LOCK
- GREAT INTEGRATED SOLUTION FOR DOORS W/ AUTO-OPERATORS
- DIRECT RETROFIT FOR SCHLAGE L SERIES
- DUAL SOLENOID FUNCTIONS OFFER GREATER CONTROL, IDEAL FOR SINGLE OCCUPANCY RESTROOMS
- UL LISTED
- 3 YEAR NO HASSLE WARRANTY



## INNOVATIVE AND AFFORDABLE SOLUTION

The Command Access **LPM1** series mortise lock utilizes a high quality Grade 1 chassis built to withstand years of abuse. This unique model brings latch retraction to a standard mortise lockset. Requiring no special door prep, this is the perfect solution for push-pull conditions, handicap access, and for automatic operators where panic devices are not necessary. The LPM1 takes advantage of our patented PM300 technology, allowing for favourable wire runs and multiple locks on one power supply. It is field handible and available in Fail Secure (EU) functionality. This mortise lock uses standard 'type 86' door prep and can retrofit to Schlage L9000 compatible trim. We offer this model as chassis only or with complete trim.

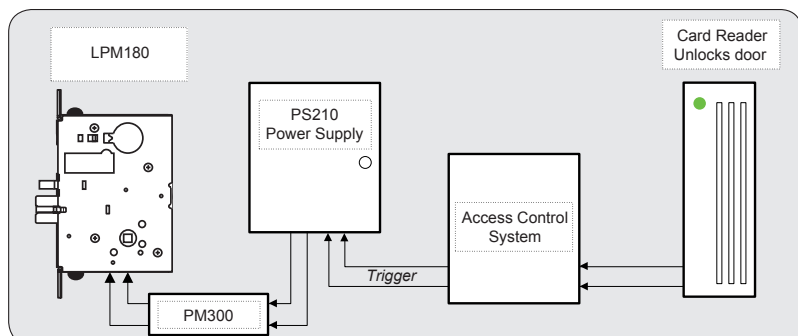
**\*\*Must be used with a Command Access PS210, PS1, PS2, PS220/220B, PS440B, or PS5-4 power supply.\*\***

18 GA + WIRE REQUIRED FOR POWER TRANSFER



### CONTROLLED ACCESS APPLICATION

The Command Access LPM180 mortise lock may be utilized in conjunction with any access control application using standard mortise locksets. When activated the LPM180 creates a push/pull that satisfies both in-swinging and out-swinging doors. Inside free egress can be attained by turning the inside lever to manually open the door. Outside access is controlled by the access control system or by physical key override.



Command Access is not a licensee, or affiliated, associated or connected with Allegion, Assa Abloy, Stanley, Schlage, Falcon, Von Duprin, Dorma, Sargent, Corbin Russwin, Yale, Emtek, Adams Rite, Best, Precision, Arrow, Design Hardware, Cal Royal, Jackson, AHT, Marshall Best, Marks, Accurate, Baldwin, FSB, PDQ, Lawrence, Trans Atlantic, Hager, LSDA, General Lock, or Omnia or any of their subsidiaries or affiliates.

# Electrified Latch Pullback Mortise Lock



## LPM110EU

Passage

**Latchbolt Control:** Latchbolt retracted by lever outside or by lever inside. Applied power electronically (EU) retracts latchbolt for push/pull operation.

**Lever Control:** Outside Lever & Inside Lever  
Always free ingress & egress

## LPM180EU

Storeroom

**Latchbolt Control:** Latchbolt retracted by key outside or by lever inside. Applied power electronically (EU) retracts latchbolt for push/pull operation.

**Lever Control:** Outside Lever  
Always Rigid (Locked)  
Inside Lever  
Always free egress

## LPM182EU

Institutional

**Latchbolt Control:** Latchbolt retracted by key outside or inside (Double Cylinder operation). Applied power electronically (EU) retracts latchbolt for push/pull operation.

**Lever Control:** Outside Lever & Inside Lever  
Always Rigid (Locked)

## LPM183EUxEL

## LPM184EUxEU

Storeroom x Storeroom

**Latchbolt Control:** Latchbolt retracted by key outside or by inside lever. Applied power electronically (EU) retracts latchbolt for push/pull operation.

X

**Lever Control:** Outside Lever  
EL - locked electronically: Applied power prohibits Outside lever from retracting latchbolt.  
EU - unlocked electronically: Applied power allows Outside lever to retract latchbolt.  
Inside Lever  
Always free egress.

## LPM185EUxEL

## LPM186EUxEU

Institutional x Storeroom

**Latchbolt Control:** Latchbolt retracted by key outside or inside (Double Cylinder operation). Applied power electronically (EU only) retracts latchbolt for push/pull operation.

X

**Lever Control:** Outside Lever  
Always Clutching (Does not activate outside lever at anytime)  
Inside Lever  
EL - locked electronically: Applied power prohibits Inside lever from retracting latchbolt.  
EU - unlocked electronically: Applied power allows Inside lever to retract latchbolt.

## LPM187EUxEL

## LPM188EUxEU

Institutional x Institutional

**Latchbolt Control:** Latchbolt retracted by key outside or inside (Double Cylinder operation). Applied power electronically (EU only) retracts latchbolt for push/pull operation.

X

**Lever Control:** Outside Lever & Inside Lever  
EL - locked electronically: Applied power prohibits both levers from retracting latchbolt.  
EU - unlocked electronically: Applied power allows both levers to retract latchbolt.

# Electrified Latch Pullback Mortise Lock



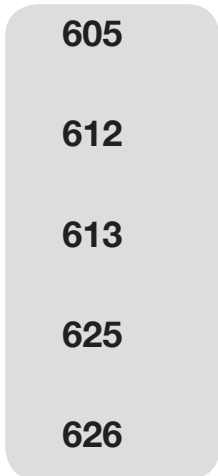
## Trims Available



## Levers Available



## Finishes Available



## Sample

L3 605  
L7B 613  
ESC17 626

### Trim Dimensions

L = 2-7/16"  
LB= 2-3/4"  
ESC= 1-3/4" x 8"

*Note: Less OS or IS trim available upon request*

*All configurations not available . Call for availability*

# SPECIFICATIONS

## FEATURES:

- No special lock prep required – fits standard mortise pocket prepped for a Schlage “L” series lock
- Utilizes our patented PM/PWM technology
- Circuitry allow for momentary or continuously on “push/pull” applications
- Available is complete locksets or in chassis only (retrofits to Schlage “L” series compatible trim)
- **Must be used with a Command Access PS210,PS1, PS220/220B/ PS440B, or PS5-4 power supply**
- No hassle 3-Year Warranty

## LATCHBOLT SOLENOID SPECIFICATIONS:

- Operating Voltage – 24 VDC (+/- 10%)
- Holding Current Amperage - 260mA@24VDC
- Surge Current Amperage - 1.9A for 350ms@24VDC
- Peak Current - 7 A @ 24VDC
- Solenoid coil resistance – 1.75 Ω
- Wire gauge: Minimum 18 gauge
- 300' with 18ga wire

## LEVER SOLENOID SPECIFICATIONS:

- Operating Voltage – 24VAC/DC (+/- 10%)
- Amperage - 24v = 350mA
- Solenoid coil resistance – 24v = 69Ω

## OPTIONS:

- REX - Request to Exit switch available
- LBM- Latchbolt Monitor switch available

Model No.	Notes:		
Customer:	Job No./Name:	Date:	Provided by: