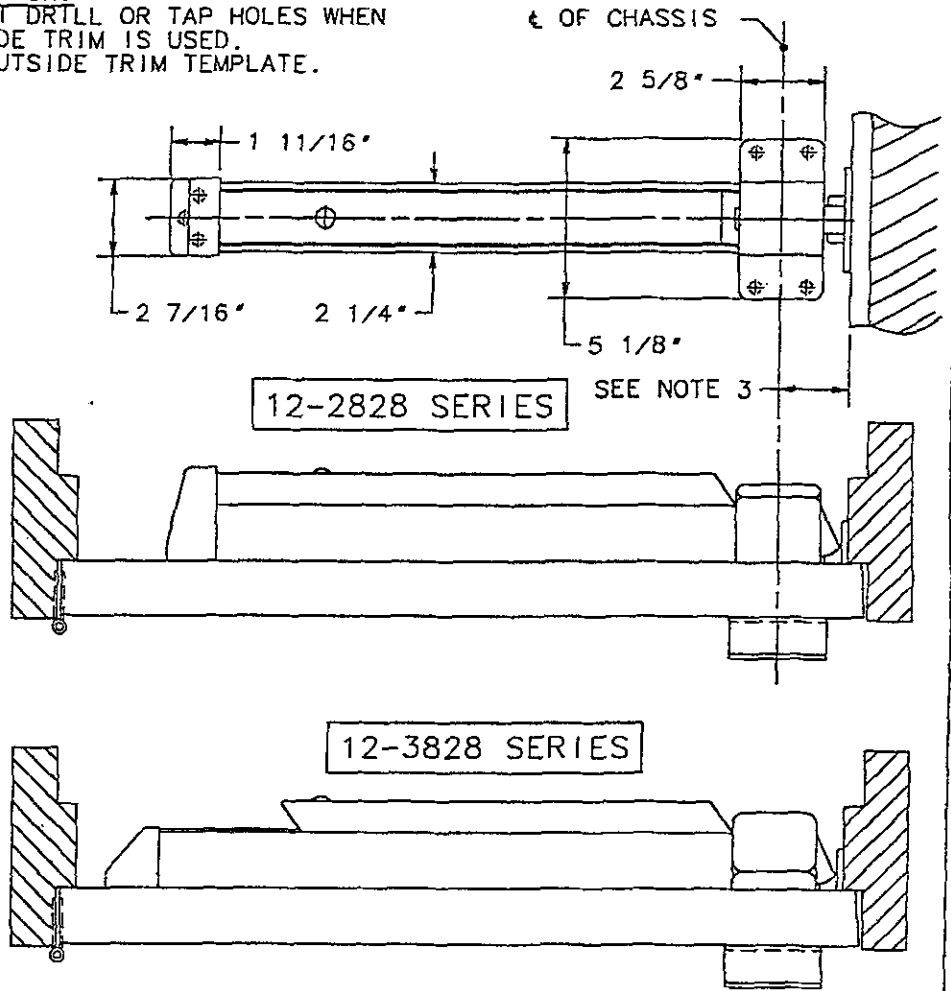


ATTENTION:
DO NOT DRILL OR TAP HOLES WHEN
OUTSIDE TRIM IS USED.
SEE OUTSIDE TRIM TEMPLATE.



- ⑤ — SURFACE OF DOOR WHERE EXIT DEVICE IS TO BE APPLIED MUST BE FLUSH.
- ④ — SEE MASTER SHEET No. 4019 FOR AREAS REQUIRING REINFORCEMENTS.
- ③ — SEE STRIKE TEMPLATE FOR MOUNTING LOCATION OF STRIKE.
FOR 881 MONITOR STRIKE SEE TEMPLATE # 4386
- ② — ● WE RECOMMEND THAT ALL TAPPED HOLES BE DRILLED & TAPPED IN FIELD.
- ① — TOLERANCE ON ALL DIMENSIONS ±1/32".

SARGENT & COMPANY	NEW HAVEN, CONN. 06511
TEMPLATE 12-2828 & 12-3828 RIM TYPE EXIT DEVICES	RELEASE DATE 4 APR 00
	TEMPLATE NO. 4302